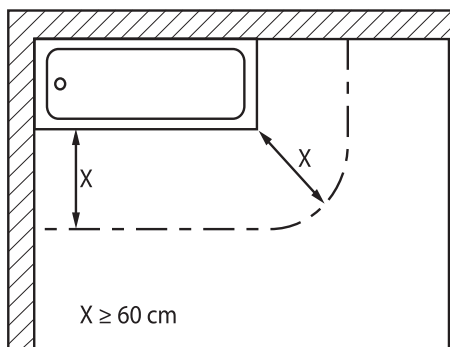
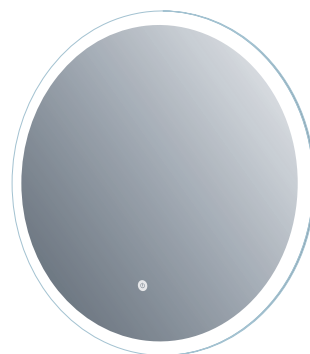




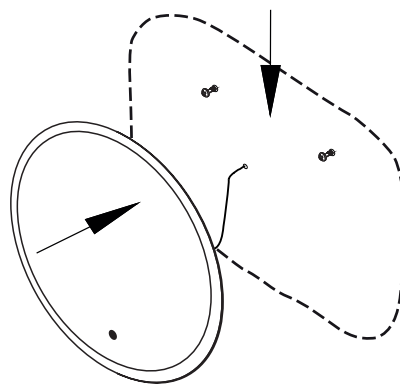
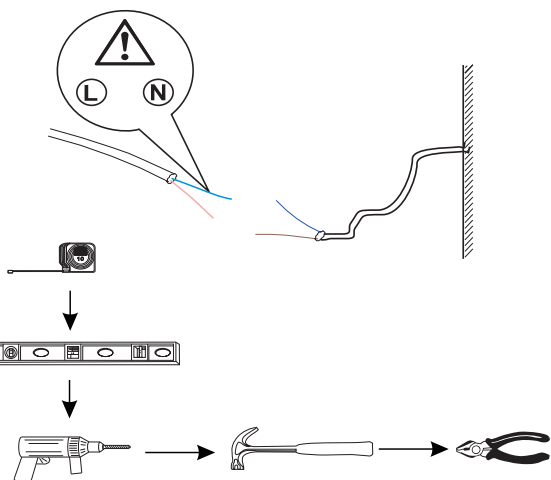
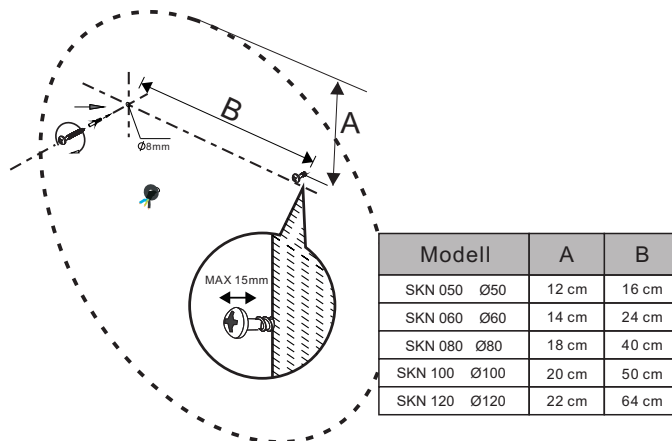
bathlife®

OF SWEDEN

Skina

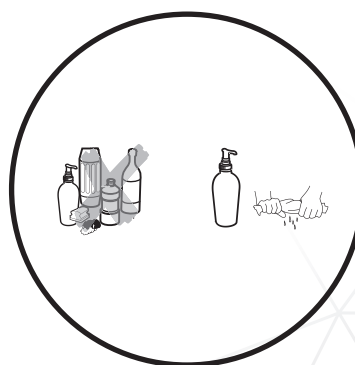


Håll alltid ett avstånd på minst 60 cm mellan spegel och badkar.



Vi rekommenderar regelbunden rengöring av alla ytor. Rengör och torka endast med milda rengöringsmedel och mjuka trasor. Använd aldrig kemiska eller slipande medel och trasor.

We recommend cleaning all surfaces regularly. Only clean and dry with a mild cleanser and a soft cloth. Do not use chemical detergents or rough sponges.



Copyright ©2019 Bygghemma Sverige AB. Original content rights reserved. All product names, logos, and brands are property of their respective owners.



Information contained within this document was considered accurate at the time of publication, but may be subject to revision.

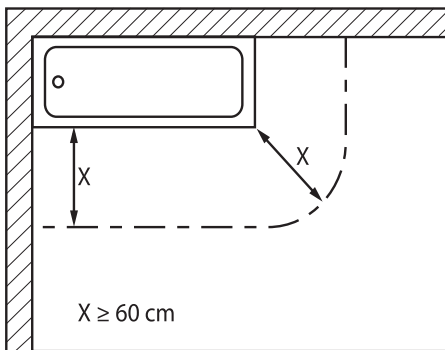
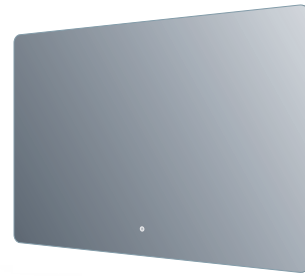
im-accessory-a
v1905a



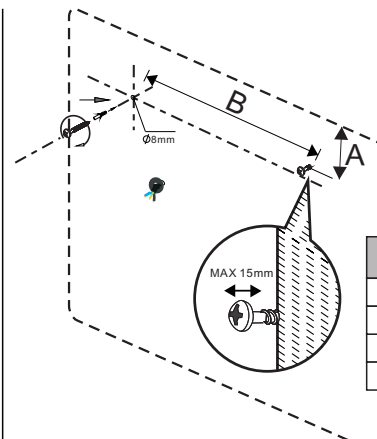
bathlife®

OF SWEDEN

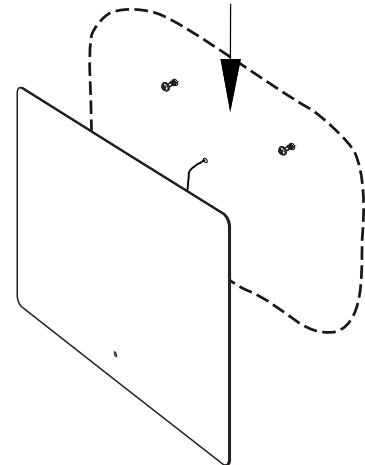
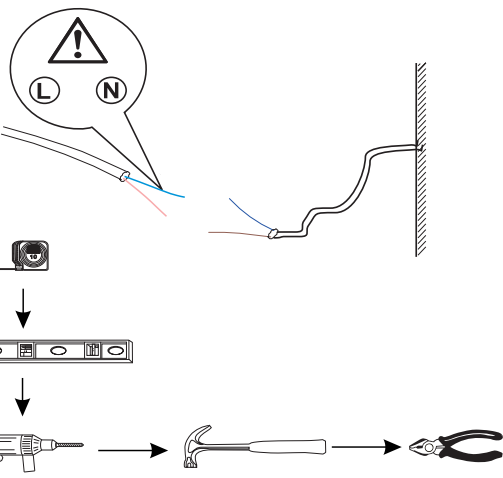
Tindra



Håll alltid ett avstånd på minst 60 cm mellan spegel och badkar.

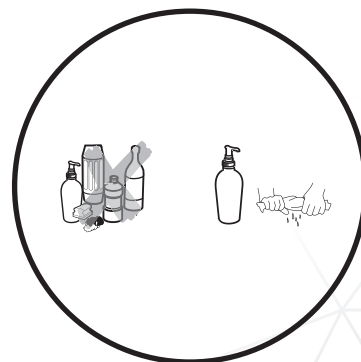


Modell	A	B
TND 050 Ø50	5.6 cm	40.2 cm
TND 060 Ø60	5.6 cm	30.2 cm
TND 100 Ø100	5.6 cm	80.2 cm
TND 120 Ø120	5.6 cm	100.2 cm



Vi rekommenderar regelbunden rengöring av alla ytor. Rengör och torka endast med milda rengöringsmedel och mjuka trasor. Använd aldrig kemiska eller slipande medel och trasor.

We recommend cleaning all surfaces regularly. Only clean and dry with a mild cleanser and a soft cloth. Do not use chemical detergents or rough sponges.



Copyright ©2019 Bygghemma Sverige AB. Original content rights reserved. All product names, logos, and brands are property of their respective owners.



Information contained within this document was considered accurate at the time of publication, but may be subject to revision.

im-accessory-a
v1905a